

Figure 1: Voice Recorder Unit Diagram

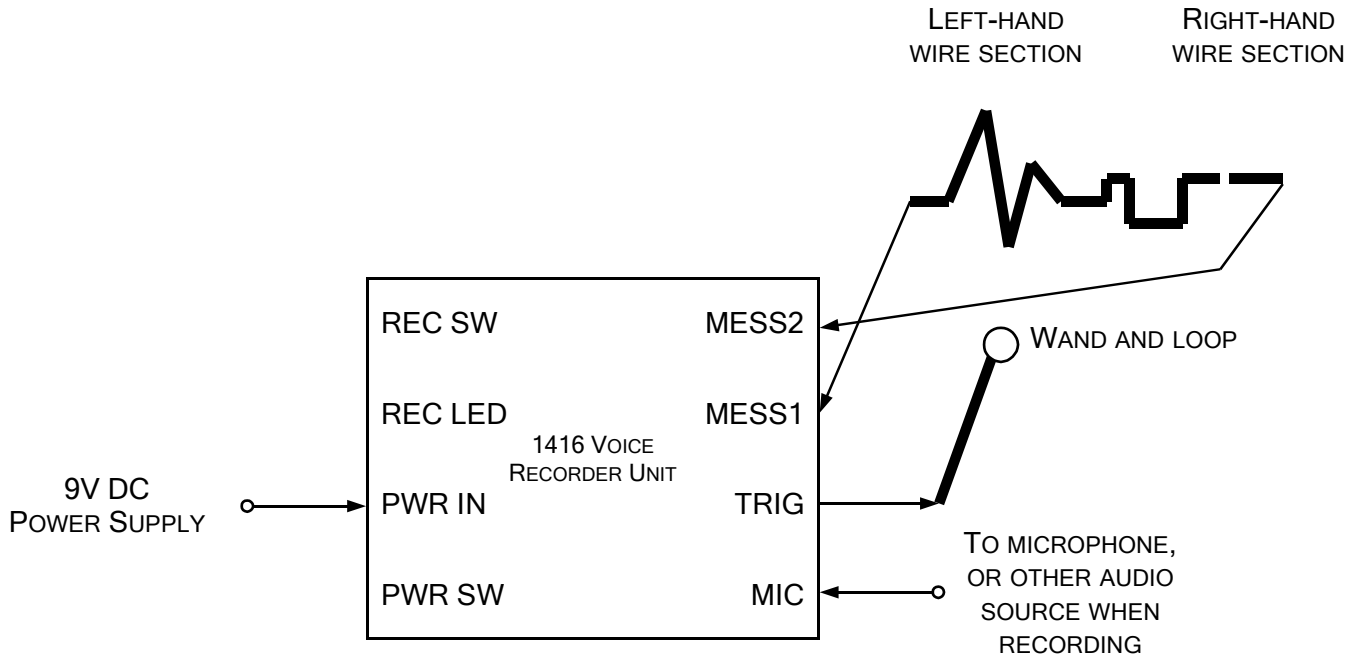


Figure 2: Application Circuit © ISD

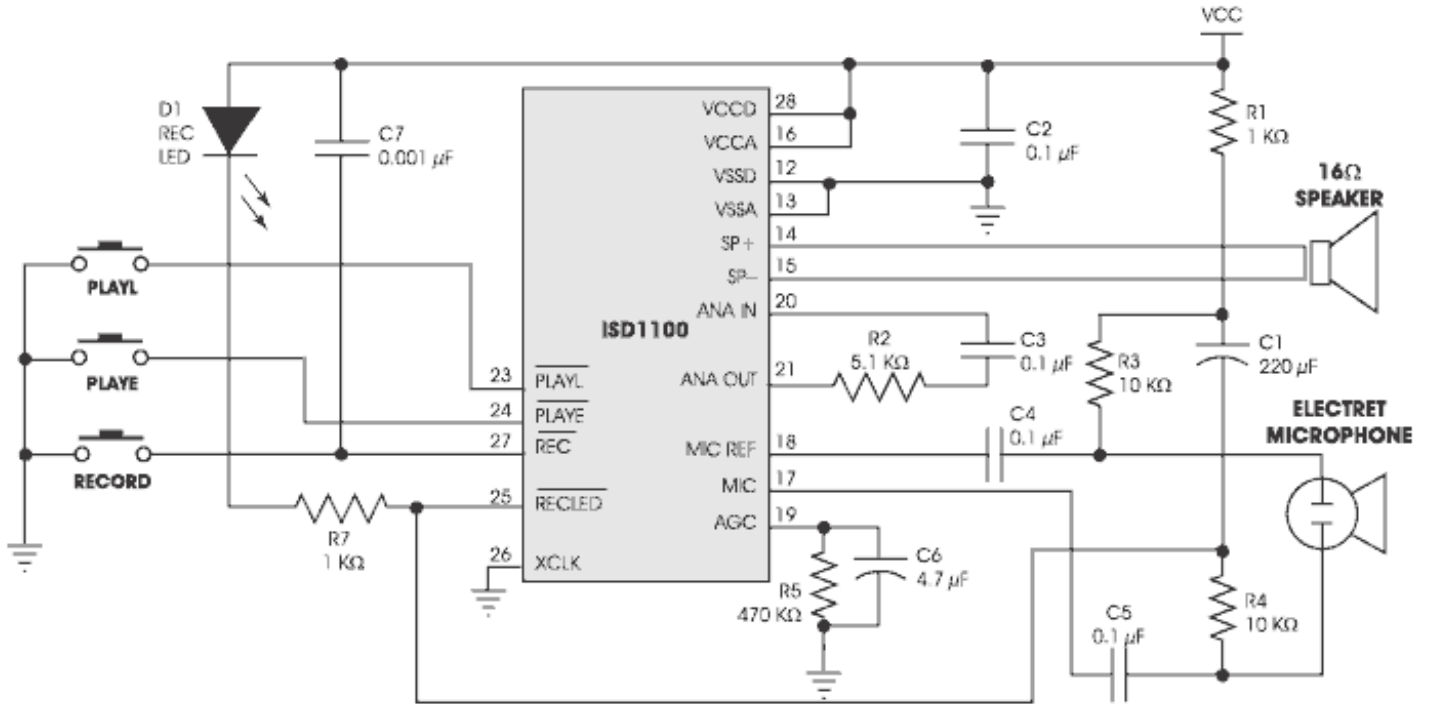


Figure 3: Additional Components

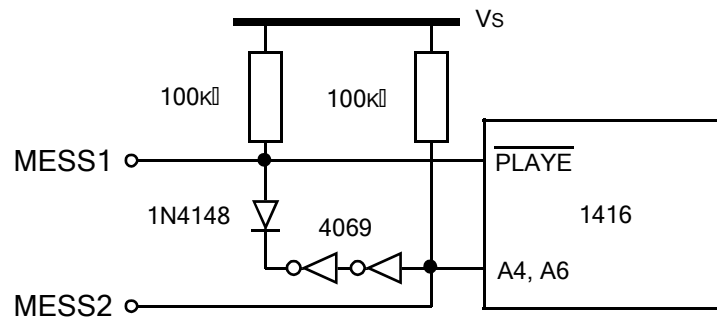
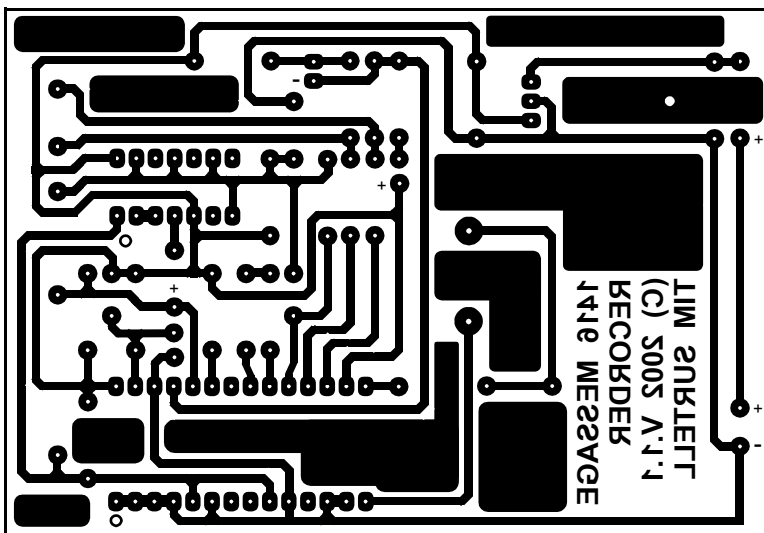


Figure 4: PCB Diagrams

Main PCB (9.7cm x 6.6cm when printed)



REC SWITCH PCB



Battery Box PCB

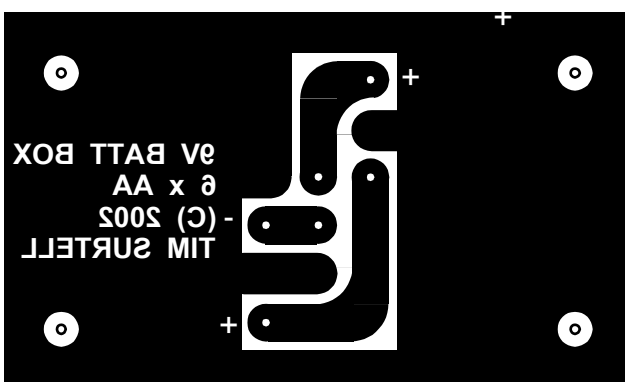
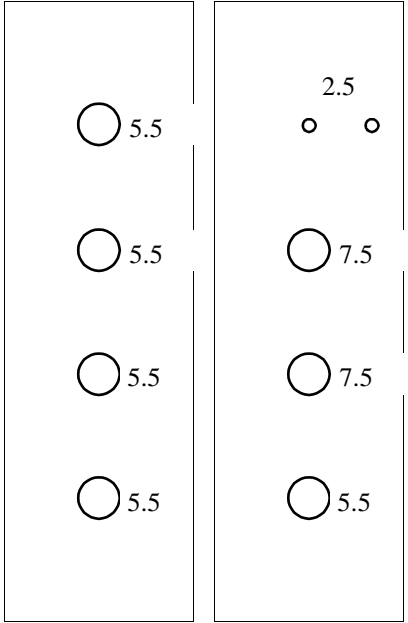
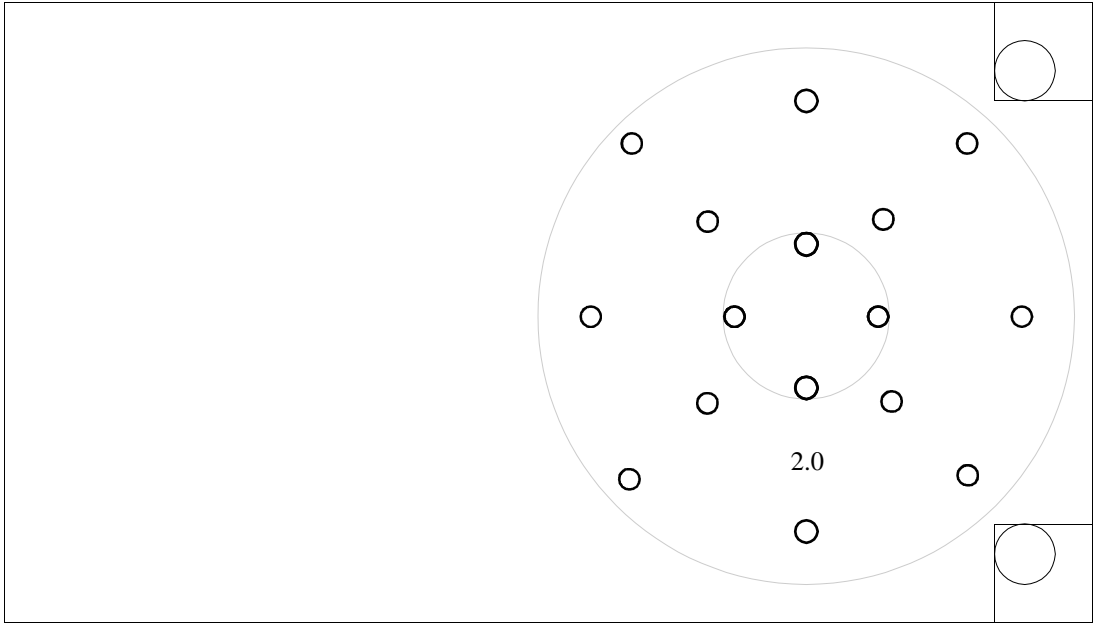


Figure 7: Box Hole Templates and Labels (dimensions in mm)



Microphone Trigger Mess. 1 Mess. 2

On/Off 9V DC Recording Record

1416 Voice Recorder

Photographs of the completed project

